

SM-E700F_REV0.3B

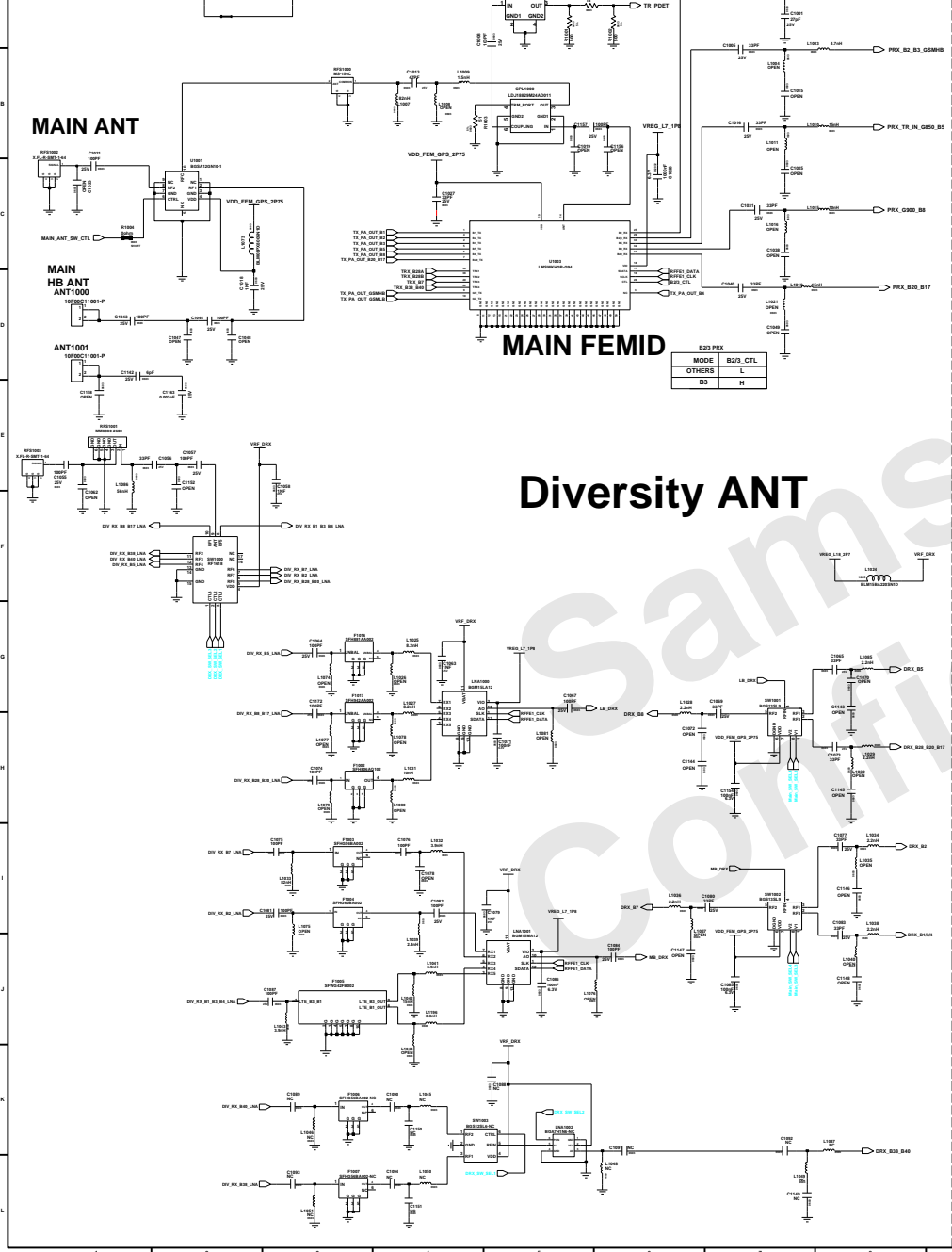
2014.12.12

- sheet01 : RF PAM
- sheet02 : WTR4905(TRANSCEIVER) BT/WIFI, GPS, NFC
- sheet03 : MSM8916(AP)
- sheet04 : PM8916(PMIC),eMCP
- sheet05 : AUDIO, SUB PBA CONNECTOR
- sheet06 : 5.5" OCTA, CAM PART, SD CARD, MOT
- sheet07: SENSOR, Charger, MUIC

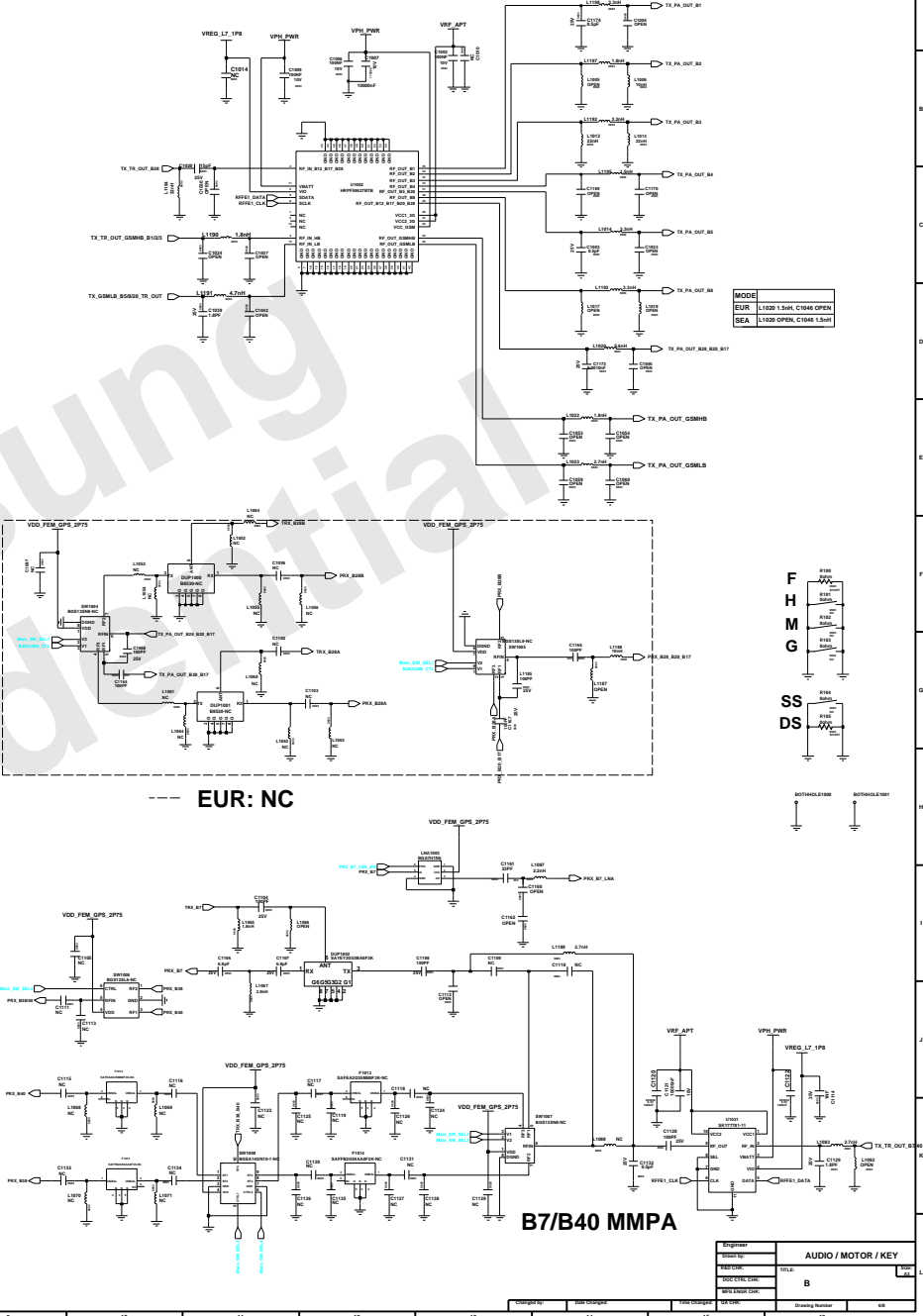
Engineer	
Drawn by	
FIELD CHK	TITLE
DOC' CTRL' CHK	B
FIELD ENGR' CHK	
QA CHK	REV
	Drawing Number
	Sheet
	O/B

Changed by	Date Changed	11	12

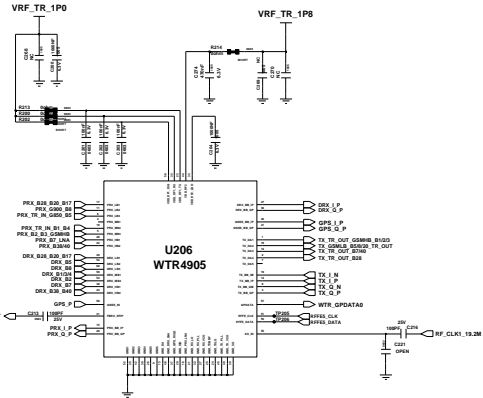
SAMSUNG CONFIDENTIAL
THIS DOCUMENT CONTAINS SAMSUNG CONFIDENTIAL INFORMATION. INFORMATION IS NOT TO BE REPRODUCED OR TRANSMITTED IN ANY FORM OR BY ANY MEANS, ELECTRONIC OR MECHANICAL, WITHOUT PERMISSION IN WRITING FROM SAMSUNG. SAMSUNG ACCEPTS NO LIABILITY FOR DAMAGES, INCLUDING CONSEQUENTIAL DAMAGES, ARISING FROM THE USE OF THIS DOCUMENT, EXCEPT AS AUTHORIZED BY SAMSUNG.



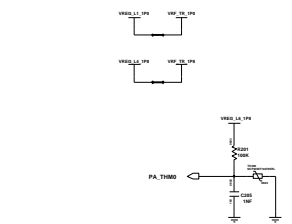
MMMB(GSM_QUAD/WLB1/WB2/WLB3/WLB5/WLB8/LB20)



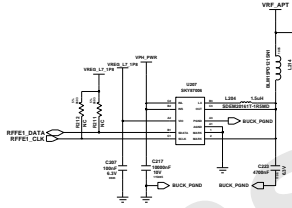
SAMSUNG CONFIDENTIAL
THIS DOCUMENT CONTAINS CONFIDENTIAL INFORMATION. INFORMATION FROM THIS DOCUMENT IS UNCLASSIFIED ONLY TO THE EXTENT THAT IT IS NECESSARY TO BE DISCLOSED FOR TRADE REASON AS AUTHORIZED BY SAMSUNG.



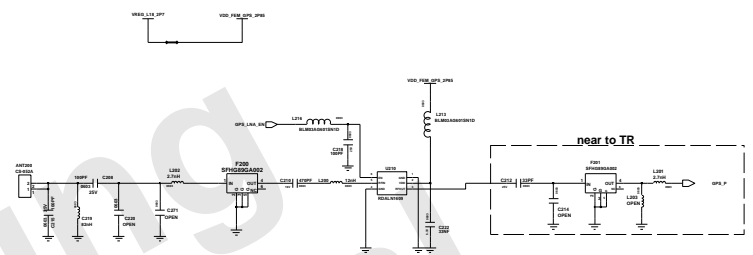
RF Transceiver



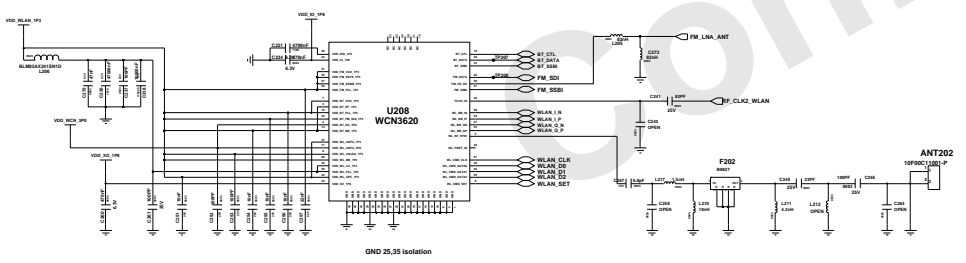
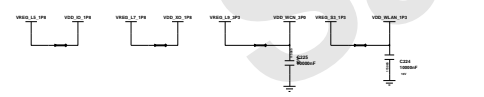
THERMISTOR



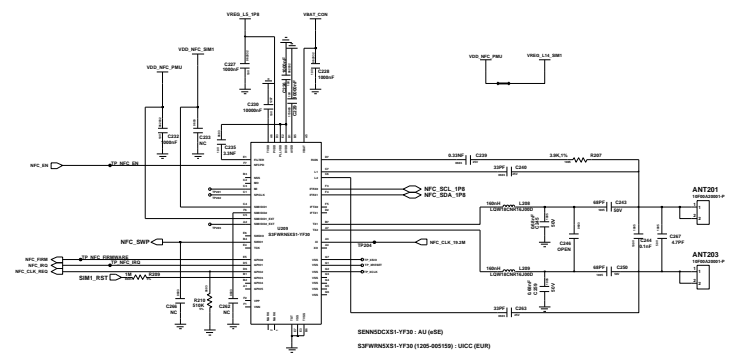
APT MODULATOR



GPS / GNSS



BT/WIFI ANT

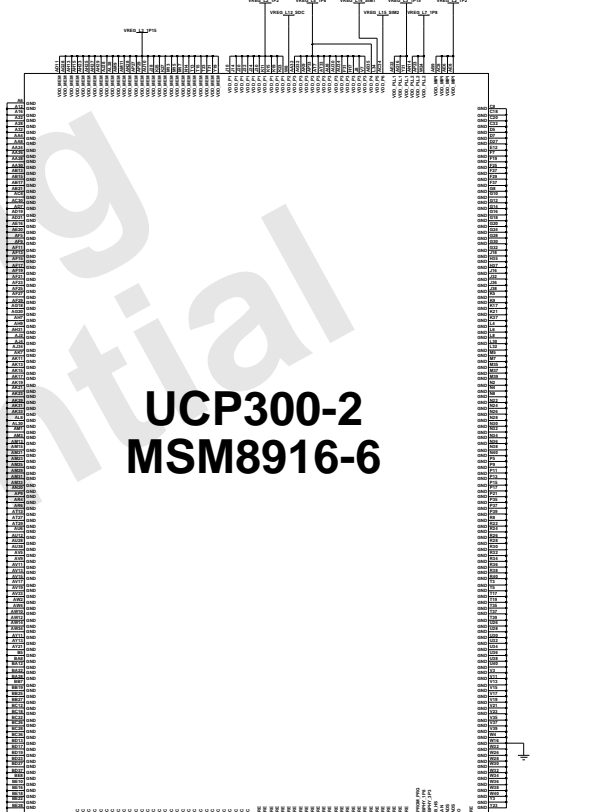
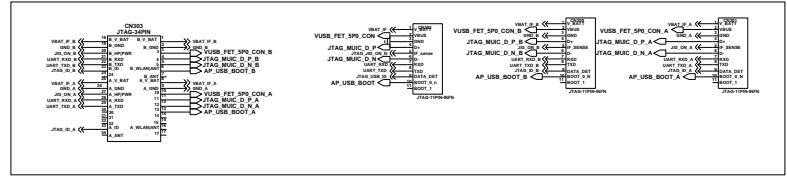
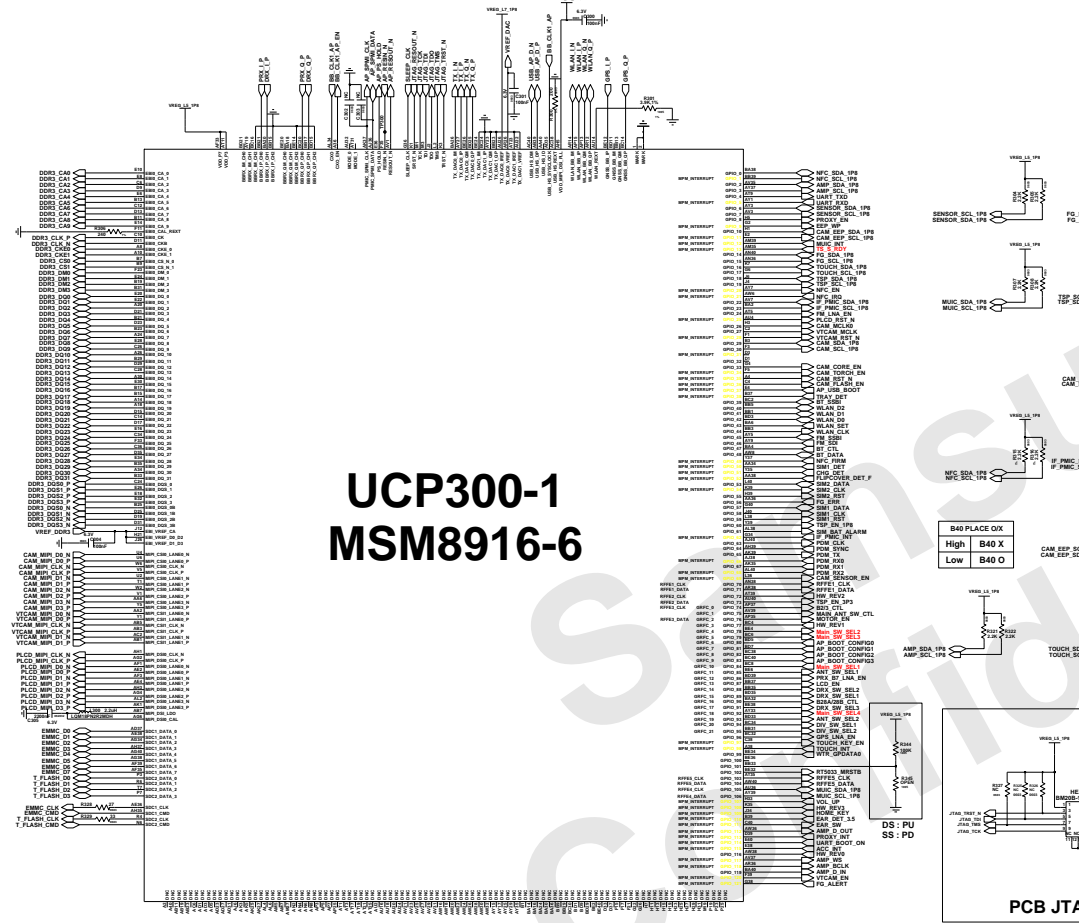


NFC

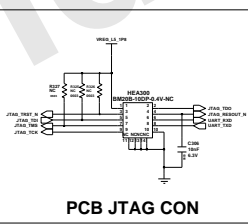
Engineer	CONNECTIVITY	
Checked by	DATE	REV
YSD GSK	2014.08.25	1
YSD GSK	B	
YSD GSK	DATE	REV
YSD GSK	2014.08.25	1
YSD GSK	DATE	REV
YSD GSK	2014.08.25	1

AP PART (MSM8916)

PCB JTAG



B40 PLACE OX
High B40 X
Low B40 O



HW REVISION

0000	REV0.0
0001	REV0.1
0010	REV0.1B
0011	REV0.2
0100	REV0.2B
0101	REV0.2C
0110	REV0.3
0111	REV0.3B

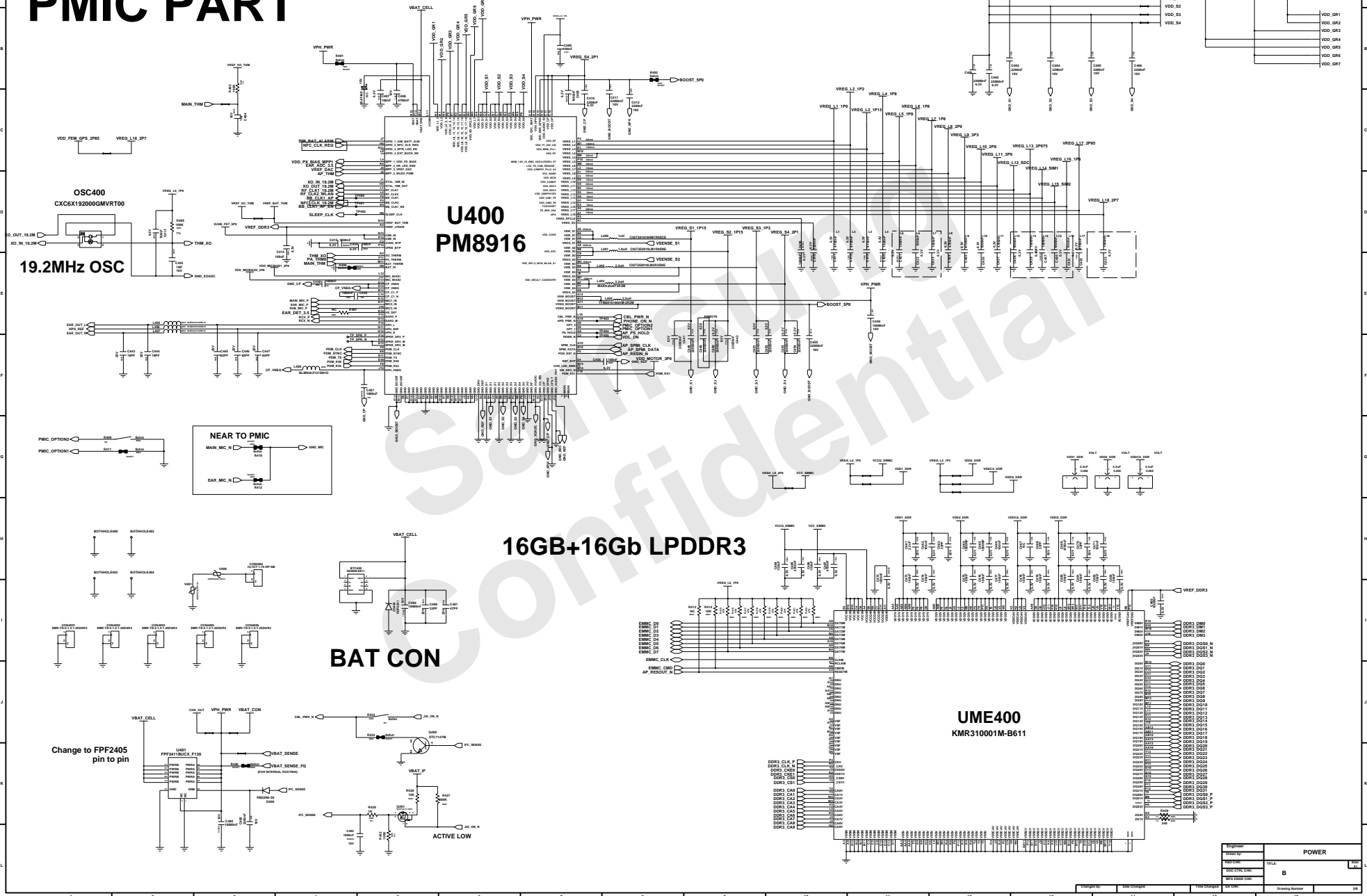
BOOT COMBINATIONS

AP_USB_BOOT	AP_USB_BOOT_A
AP_USB_BOOT	AP_USB_BOOT_B
AP_USB_BOOT	AP_USB_BOOT_C
AP_USB_BOOT	AP_USB_BOOT_D

MSM Boot Config File: msmboot.cfg
MSM Boot Config File: msmboot.cfg

Part No.	AP
Rev.	B
Doc. Title	MSM8916-6
Date	14.11.14
Page	1

PMIC PART



BAT CON

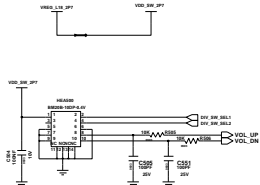
16GB+16Gb LPDDR3

UME400 KMR310001M-B611

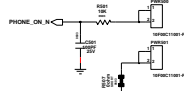
Engineer	POWER	
Checked by	DATE	REV
DESIGNED BY	B	1
DATE	2014.08.25	
DESIGNED BY		
DATE		

SAMSUNG CONFIDENTIAL
 THIS DOCUMENT CONTAINS CONFIDENTIAL INFORMATION PROPRIETARY TO SAMSUNG. IT IS TO BE KEPT STRICTLY CONFIDENTIAL AND IS NOT TO BE DISCLOSED TO ANY OTHER PERSON OR ENTITY WITHOUT THE WRITTEN PERMISSION OF SAMSUNG. ANY UNAUTHORIZED DISCLOSURE OR REPRODUCTION IS STRICTLY PROHIBITED AND WILL BE PUNISHED AS PROVIDED BY LAW.

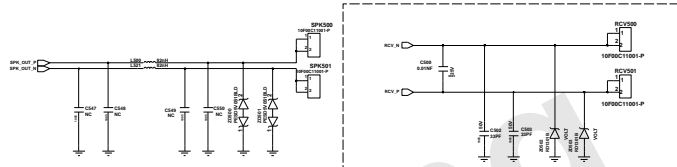
AUDIO PART



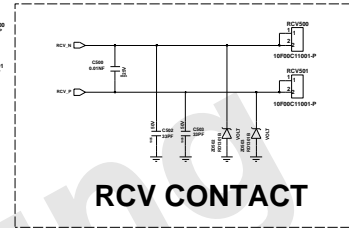
VOLUME KEY Connector



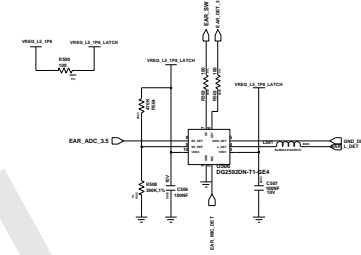
PWR On



SPK CON

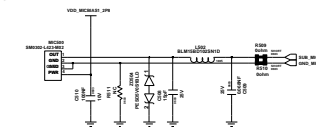
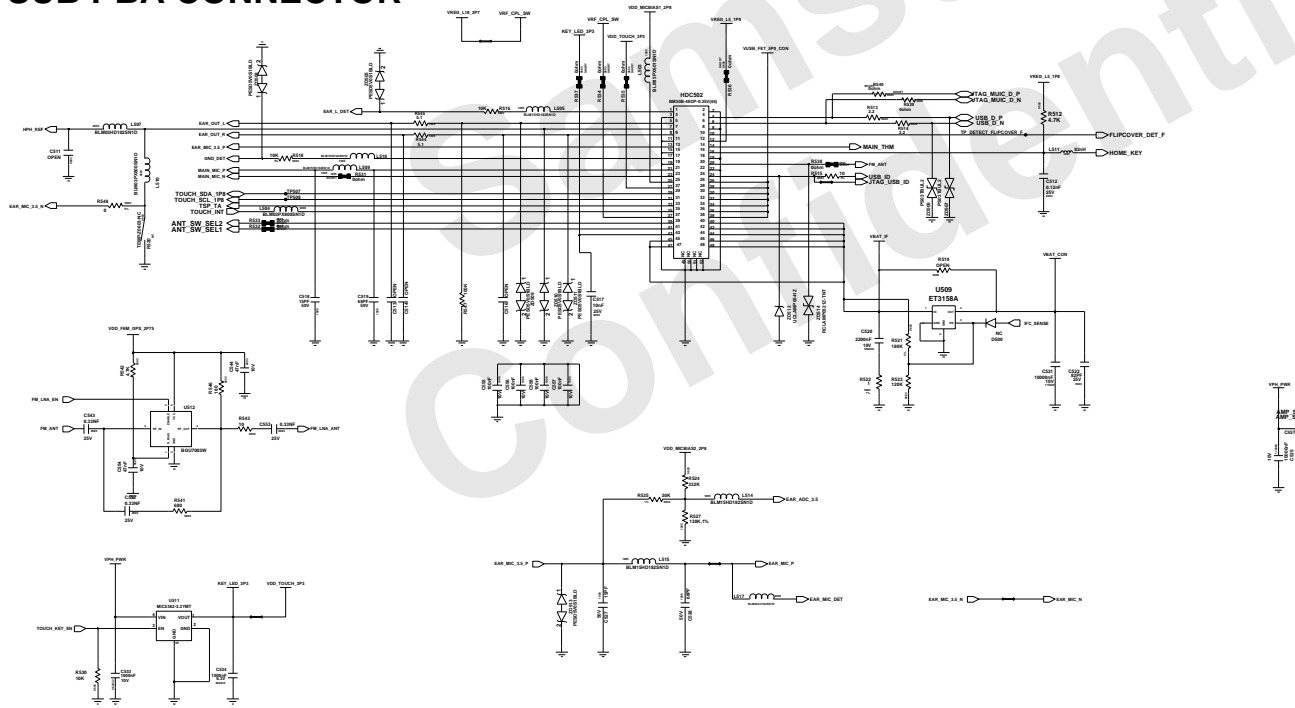


RCV CONTACT

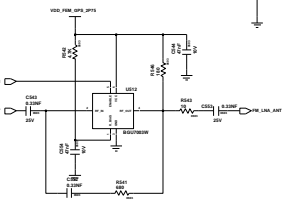


SUB MIC

IF SUB PBA CONNECTOR



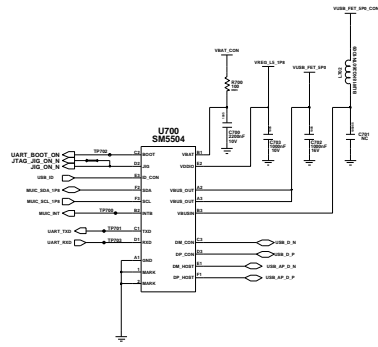
NXP AUDIO AMP



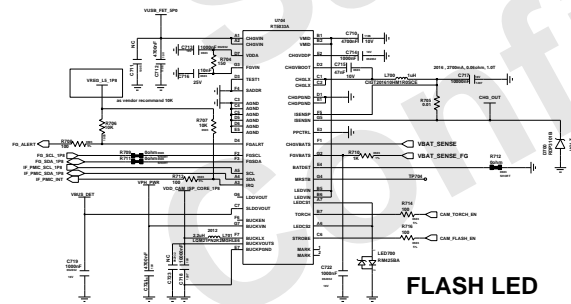
TOUCHKEY LDO

Engineer	AUDIO / MOTOR / KEY	
Checked by	DATE	REV
DESIGNED BY	DATE	REV
DATE	DATE	REV
DATE	DATE	REV
DATE	DATE	REV

SAMSUNG CONFIDENTIAL
 THIS DOCUMENT CONTAINS CONFIDENTIAL
 INFORMATION. ANY DISCLOSURE OF THIS IT
 INFORMATION TO OTHERS WITHOUT THE WRITTEN
 PERMISSION OF SAMSUNG ELECTRONICS CO., LTD. IS
 STRICTLY PROHIBITED. NO REPRODUCTION OR
 TRANSMISSION IS PERMITTED WITHOUT THE
 WRITTEN PERMISSION OF SAMSUNG ELECTRONICS
 CO., LTD. ANY VIOLATION OF THIS POLICY
 WILL BE PROSECUTED TO THE FULL EXTENT OF
 THE LAW.



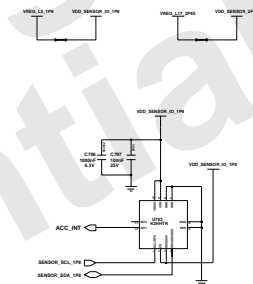
MUC



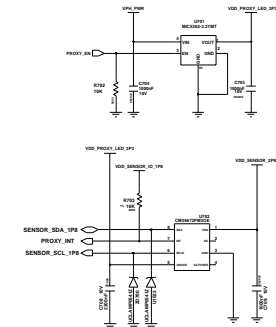
FLASH LED

IF PMIC (RT5033 @ Richtek)
 (Charger / Fuel Gauge / Flash LED / CAM DCDC)

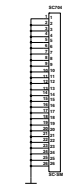
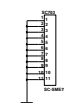
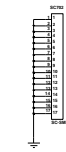
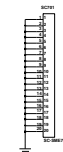
SENSORS PART



ACC SENSOR



Proximity Detector



Engineer	AUDIO / MOTOR / KEY	
Checked by	TITLE	REV
YSD CHOI	B	1
YSD CHOI	DRAWING CODE	
YSD CHOI	DATE	
YSD CHOI	DRAWING NUMBER	
YSD CHOI	REV	

